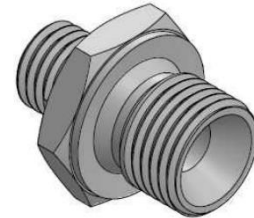
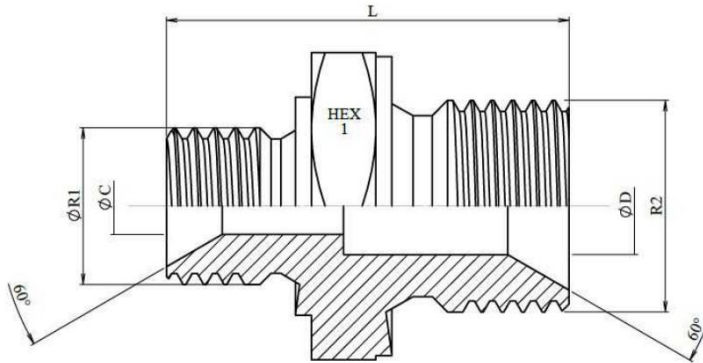


DATA SHEET - TEHNIČNI LIST



	R1	R2	L	HEX 1	ØC	ØD	⌘ (Kg)	
82013	1/8" BSP	1/4" BSP	25	17	3,5	6	0,025	
82734		3/8" BSP	26	22		8	0,037	
80285	1/4" BSP	1/2" BSP	32	27	6	11	0,064	
82735		3/8" BSP	39			23	0,084	
80287	3/8" BSP	1/2" BSP	38	32	8	11	0,079	
80861		3/4" BSP	40			16	0,098	
80289		1/2" NPT	40			24	12	0,086
80289	1/2" BSP	3/4" BSP	43,5	32	11	16	0,115	
82736		1" BSP	46,5	41		22	0,190	
82737	5/8" BSP	1/2" BSP	44	30	14	11	0,090	
82737	1" BSP	5/8" BSP		41	14	22	0,174	
80862	3/4" BSP	3/4" BSP	45	32	14	16	0,110	
80293		1" BSP	48	41		22	0,180	
82738	1"1/4 BSP	1"1/4 BSP	51	50	16	28,5	0,297	
80293		1" BSP	56				22	0,332
82738		1"1/2 BSP	58				55	33
82740	1"1/2 BSP	1"1/2 BSP	62	70	28,5	46	0,450	
82740		2" BSP	64				33	0,695
	2" BSP	2" BSP	66	85	46	55	0,708	
		2"1/2 BSP	72				55	1,125
	2"1/2 BSP	2"1/2 BSP	85	100	46	64	2,006	
		3" BSP					55	2,100

Izdelano iz Ogljikovega Jekla

Made of Carbon Steel

